

SN65LBC170, SN75LBC170 TRIPLE DIFFERENTIAL TRANSCEIVERS

SLLS459C – NOVEMBER 2000 – REVISED MARCH 2005

- Three Differential Transceivers in One Package
- Signaling Rates† Up to 30 Mbps
- Low Power and High Speed
- Designed for TIA/EIA-485, TIA/EIA-422, ISO 8482, and ANSI X3.277 (HVD SCSI Fast-20) Applications
- Common-Mode Bus Voltage Range –7 V to 12 V
- ESD Protection on Bus Terminals Exceeds 12 kV
- Driver Output Current up to ± 60 mA
- Thermal Shutdown Protection
- Driver Positive and Negative Current Limiting
- Power-Up, Power-Down Glitch-Free Operation
- Pin-Compatible With the SN75ALS170
- Available in Shrink Small-Outline Package

description

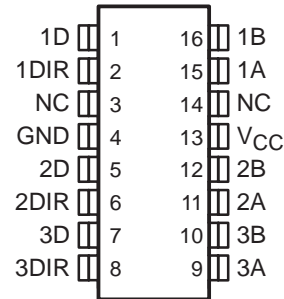
The SN65LBC170 and SN75LBC170 are monolithic integrated circuits designed for bidirectional data communication on multipoint bus-transmission lines. Potential applications include serial or parallel data transmission, cabled peripheral buses with twin axial, ribbon, or twisted-pair cabling. These devices are suitable for FAST-20 SCSI and can transmit or receive data pulses as short as 25 ns, with skew less than 3 ns.

These devices combine three 3-state differential line drivers and three differential input line receivers, all of which operate from a single 5-V power supply.

The driver differential outputs and the receiver differential inputs are connected internally to form three differential input/output (I/O) bus ports that are designed to offer minimum loading to the bus whenever the driver is disabled or $V_{CC} = 0$. These ports feature a wide common-mode voltage range making the device suitable for party-line applications over long cable runs.

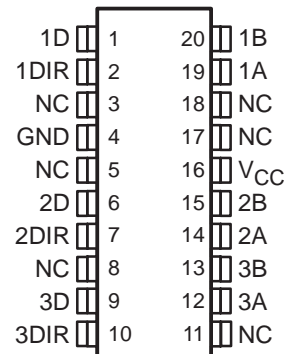
SN65LBC170DB (marked as BL170)
SN75LBC170DB (marked as BL170)

(TOP VIEW)



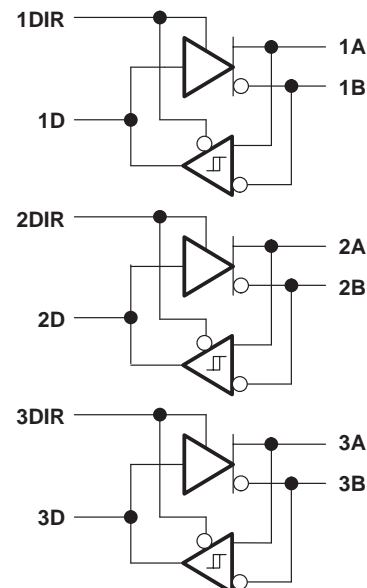
SN65LBC170DW (marked as 65LBC170)
SN75LBC170DW (marked as 75LBC170)

(TOP VIEW)



NC – No internal connection

logic diagram



Please be aware that an important notice concerning availability, standard warranty, and use in critical applications of Texas Instruments semiconductor products and disclaimers thereto appears at the end of this data sheet.

†The signaling rate of a line is the number of voltage transitions that are made per second expressed in the units bps (bits per second).

PRODUCTION DATA information is current as of publication date. Products conform to specifications per the terms of Texas Instruments standard warranty. Production processing does not necessarily include testing of all parameters.

**TEXAS
INSTRUMENTS**

POST OFFICE BOX 655303 • DALLAS, TEXAS 75265

Copyright © 2002, Texas Instruments Incorporated

SN65LBC170, SN75LBC170 TRIPLE DIFFERENTIAL TRANSCEIVERS

SLLS459C – NOVEMBER 2000 – REVISED MARCH 2005

description (continued)

The driver's active-high enable and the receiver's active-low enable are tied together internally and provide a direction input for each driver/receiver pair.

The SN75LBC170 is characterized for operation over the temperature range of 0°C to 70°C. The SN65LBC170 is characterized for operation over the temperature range of -40°C to 85°C.

AVAILABLE OPTIONS†

| T _A | PACKAGE | |
|----------------|--|---|
| | PLASTIC SHRINK SMALL-OUTLINE (JEDEC MO-150) | PLASTIC SMALL-OUTLINE (JEDEC MS-013) |
| 0°C to 70°C | SN75LBC170DB | SN75LBC170DW |
| -40°C to 85°C | SN65LBC170DB | SN65LBC170DW |

† Add R suffix for taped and reel

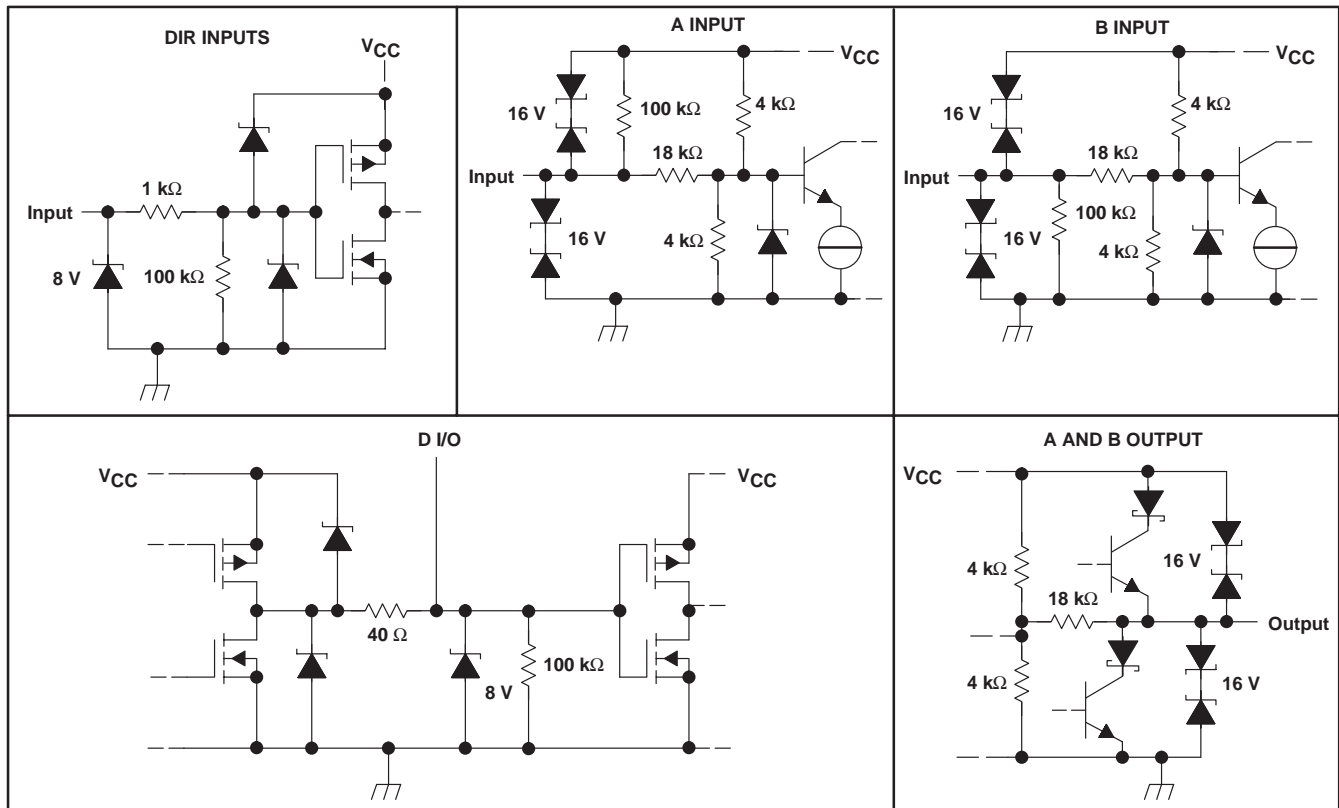
† For the most current package and ordering information, see the Package Option Addendum at the end of this document, or see the TI web site at www.ti.com.

Function Tables

| EACH DRIVER | | | EACH RECEIVER | | | |
|-------------|---------------|---------|---------------|---|---------------|-------------|
| INPUT D | ENABLE DIR | OUTPUTS | | DIFFERENTIAL INPUT (V _A -V _B) | ENABLE DIR | OUTPUT D |
| | | A | B | | | |
| H | H | H | L | V _{ID} ≥ 0.2 V | L | H |
| L | H | L | H | -0.2 V < V _{ID} < 0.2 V | L | ? |
| OPEN | H | L | H | V _{ID} ≤ -0.2 V | L | L |
| X | L | Z | Z | X | H | Z |
| X | OPEN | X | X | OPEN | L | H |

H = high level, L = low level, X = irrelevant, Z = high impedance (off), ? = indeterminate

equivalent input and output schematic diagrams



SN65LBC170, SN75LBC170 TRIPLE DIFFERENTIAL TRANSCEIVERS

SLLS459C – NOVEMBER 2000 – REVISED MARCH 2005

absolute maximum ratings[†] over operating free-air temperature range (unless otherwise noted)

| | |
|--|------------------------------------|
| Supply voltage, V_{CC} (see Note 1) | –0.3 V to 6 V |
| Voltage range at any bus I/O terminal (steady state) | –10 V to 15 V |
| Voltage input range, A and B, (transient pulse through 100 Ω , see Figure 12) | –30 V to 30 V |
| Voltage range at any D or DIR terminal | –0.5 V to $V_{CC} + 0.5$ V |
| Receiver output current, I_O | ± 10 mA |
| Electrostatic discharge: Human body model (A, B, GND) (see Note 2) | 12 kV |
| All pins | 5 kV |
| Charged-device model (all pins) (see Note 3) | 1 kV |
| Continuous total power dissipation | See Power Dissipation Rating Table |

[†] Stresses beyond those listed under “absolute maximum ratings” may cause permanent damage to the device. These are stress ratings only, and functional operation of the device at these or any other conditions beyond those indicated under “recommended operating conditions” is not implied. Exposure to absolute-maximum-rated conditions for extended periods may affect device reliability.

- NOTES: 1. All voltage values, except differential I/O bus voltages, are with respect to network ground terminal.
 2. Tested in accordance with JEDEC Standard 22, Test Method A114–A.
 3. Tested in accordance with JEDEC Standard 22, Test Method C101.

POWER DISSIPATION RATING TABLE

| PACKAGE | $T_A \leq 25^\circ\text{C}$ POWER RATING | DERATING FACTOR [‡] ABOVE $T_A = 25^\circ\text{C}$ | $T_A = 70^\circ\text{C}$ POWER RATING | $T_A = 85^\circ\text{C}$ POWER RATING |
|---------|---|--|--|--|
| DB | 995 mW | 8.0 mW/ $^\circ\text{C}$ | 635 mW | 515 mW |
| DW | 1480 mW | 11.8 mW/ $^\circ\text{C}$ | 950 mW | 770 mW |

[‡] This is the inverse of the junction-to-ambient thermal resistance when board-mounted and with no air flow.

recommended operating conditions

| | | MIN | NOM | MAX | UNIT |
|---------------------------------------|---------------------|------|-----|----------|------------------|
| Supply voltage, V_{CC} | | 4.75 | 5 | 5.25 | V |
| Voltage at any bus I/O terminal | A, B | –7 | | 12 | V |
| High-level input voltage, V_{IH} | D, DIR | 2 | | V_{CC} | V |
| Low-level input voltage, V_{IL} | | 0 | | 0.8 | |
| Differential input voltage, V_{ID} | A with respect to B | –12 | | 12 | V |
| Output current | Driver | –60 | | 60 | mA |
| | Receiver | –8 | | 8 | |
| Operating free-air temperature, T_A | SN75LBC170 | 0 | | 70 | $^\circ\text{C}$ |
| | SN65LBC170 | –40 | | 85 | |



SN65LBC170, SN75LBC170 TRIPLE DIFFERENTIAL TRANSCEIVERS

SLLS459C – NOVEMBER 2000 – REVISED MARCH 2005

DRIVER SECTION

electrical characteristics over recommended operating conditions

| PARAMETER | | TEST CONDITIONS | MIN | TYP† | MAX | UNIT |
|----------------------|--|--|------|------|-----------------|------|
| V _{IK} | Input clamp voltage | D and DIR I _I = 18 mA | -1.5 | -0.7 | | V |
| V _O | Open-circuit output voltage (single-ended) | A or B, No load | 0 | | V _{CC} | V |
| V _{OD(SS)} | Steady-state differential output voltage magnitude‡ | No load | 3.8 | 4.3 | V _{CC} | V |
| | | R _L = 54 Ω, See Figure 1 | 1 | 1.6 | 2.4 | |
| | | With common-mode loading, See Figure 2 | 1 | 1.6 | 2.4 | |
| ΔV _{OD} | Change in differential output voltage magnitude, V _{OD(H)} - V _{OD(L)} | R _L = 54 Ω, C _L = 50 pF See Figure 1 | -0.2 | | 0.2 | V |
| V _{OC(SS)} | Steady-state common-mode output voltage | | 2 | 2.4 | 2.8 | |
| ΔV _{OC(SS)} | Change in steady-state common-mode output voltage (V _{OC(H)} - V _{OC(L)}) | | -0.2 | | 0.2 | |
| I _I | Input current | D, DIR | -100 | | 100 | μA |
| I _O | Output current with power off | V _{CC} = 0 V, V _O = -7 V to 12 V | -700 | | 900 | μA |
| I _{OS} | Short-circuit output current | V _O = -7 V to 12 V, See Figure 7 | -250 | | 250 | mA |
| I _{CC} | Supply current (driver enabled) | D at 0 V or V _{CC} , DIR at V _{CC} , No load | | 14 | 20 | mA |

† All typical values are at V_{CC} = 5 V and T_A = 25°C.

‡ The minimum V_{OD} may not fully comply with TIA/EIA-485-A at operating temperatures below 0°C. System designers should take the possibly lower output signal into account in determining the maximum signal-transmission distance.

switching characteristics over recommended operating conditions

| PARAMETER | | TEST CONDITIONS | MIN | TYP | MAX | UNIT |
|---------------------|---|---|-----|-----|-----|------|
| t _{PLH} | Differential output propagation delay, low-to-high | R _L = 54 Ω, C _L = 50 pF, See Figure 3 | 4 | 8.5 | 12 | ns |
| t _{PHL} | Differential output propagation delay, high-to-low | | 4 | 8.5 | 11 | |
| t _r | Differential output rise time | | 3 | 7.5 | 11 | |
| t _f | Differential output fall time | | 3 | 7.5 | 11 | |
| t _{sk(p)} | Pulse skew (t _{PLH} - t _{PHL}) | | | | 2 | |
| t _{sk(o)} | Output skew§ | | | | 1.5 | |
| t _{sk(pp)} | Part-to-part skew¶ | | | | 2 | |
| t _{PLH} | Differential output propagation delay, low-to-high | See Figure 4, (HVD SCSI double-terminated load) | 3 | 7 | 10 | ns |
| t _{PHL} | Differential output propagation delay, high-to-low | | 3 | 7.5 | 10 | |
| t _r | Differential output rise time | | 3 | 7.5 | 12 | |
| t _f | Differential output fall time | | 3 | 7.5 | 12 | |
| t _{sk(p)} | Pulse skew (t _{PLH} - t _{PHL}) | | | | 3 | |
| t _{sk(o)} | Output skew§ | | | | 1.5 | |
| t _{sk(pp)} | Part-to-part skew¶ | | | | 2.5 | |
| t _{pZH} | Output enable time to high level | See Figure 5 | | 15 | 25 | ns |
| t _{pHZ} | Output disable time from high level | | | 18 | 25 | |
| t _{pZL} | Output enable time to low level | See Figure 6 | | 10 | 25 | ns |
| t _{pLZ} | Output disable time from low level | | | 17 | 25 | |

§ Output skew (t_{sk(o)}) is the magnitude of the time delay difference between the outputs of a single device with all of the inputs connected together.

¶ Part-to-part skew (t_{sk(pp)}) is the magnitude of the difference in propagation delay times between any specified terminals of two devices when both devices operate with the same input signals, the same supply voltages, at the same temperature, and have identical packages and test circuits.



RECEIVER SECTION

electrical characteristics over recommended operating conditions

| PARAMETER | | TEST CONDITIONS | MIN | TYP† | MAX | UNIT |
|-----------|---|--|-----|------|----------|------------|
| V_{IT+} | Positive-going differential input voltage threshold | See Figure 8 | | | 0.2 | V |
| V_{IT-} | Negative-going differential input voltage threshold | | | | -0.2 | |
| V_{hys} | Hysteresis voltage ($V_{IT+} - V_{IT-}$) | | | | 40 | mV |
| V_{OH} | High-level output voltage | $V_{ID} = 200$ mV, $I_{OH} = -8$ mA, See Figure 8 | 4 | 4.7 | V_{CC} | V |
| V_{OL} | Low-level output voltage | $V_{ID} = -200$ mV, $I_{OL} = -8$ mA, See Figure 8 | 0 | 0.2 | 0.4 | |
| I_I | Line input current | Other input = 0 V | | | 0.9 | mA |
| | | $V_I = 12$ V $V_I = -7$ V | | | -0.7 | |
| R_I | Input resistance | A, B | 12 | | | k Ω |
| I_{CC} | Supply current (receiver enabled) | A, B, D, and DIR open | | | 16 | mA |

† All typical values are at $V_{CC} = 5$ V and $T_A = 25^\circ\text{C}$.

switching characteristics over recommended operating conditions

| PARAMETER | | TEST CONDITIONS | MIN | TYP | MAX | UNIT |
|--------------|--|-----------------|-----|-----|-----|------|
| t_{PLH} | Propagation delay time, low-to-high level output | See Figure 9 | 7 | | 16 | ns |
| t_{PHL} | Propagation delay time, high-to-low level output | | 7 | | 16 | |
| t_r | Receiver output rise time | | | 1.3 | 3 | ns |
| t_f | Receiver output fall time | | | 1.3 | 3 | |
| t_{PZH} | Receiver output enable time to high level | See Figure 10 | | 26 | 40 | ns |
| t_{PHZ} | Receiver output disable time from high level | | | | 40 | |
| t_{PZL} | Receiver output enable time to low level | See Figure 11 | | 29 | 40 | ns |
| t_{PLZ} | Receiver output enable time to high level | | | | 40 | |
| $t_{sk(p)}$ | Pulse skew ($ t_{PLH} - t_{PHL} $) | | | | 2 | ns |
| $t_{sk(o)}$ | Output skew‡ | | | | 1.5 | ns |
| $t_{sk(pp)}$ | Part-to-part skew§ | | | | 3 | ns |

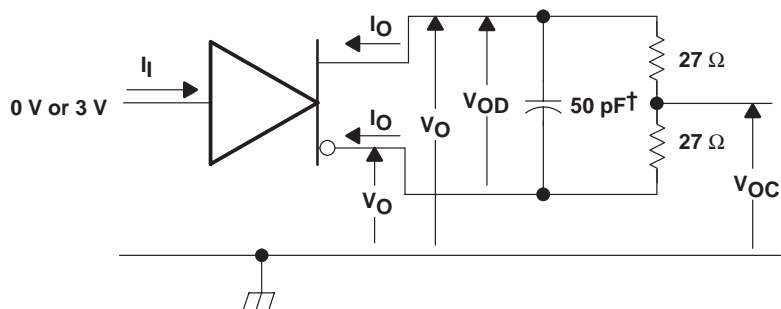
‡ Output skew ($t_{sk(o)}$) is the magnitude of the time delay difference between the outputs of a single device with all of the inputs connected together.

§ Part-to-part skew ($t_{sk(pp)}$) is the magnitude of the difference in propagation delay times between any specified terminals of two devices when both devices operate with the same input signals, the same supply voltages, at the same temperature, and have identical packages and test circuits.

SN65LBC170, SN75LBC170 TRIPLE DIFFERENTIAL TRANSCIEVERS

SLLS459C – NOVEMBER 2000 – REVISED MARCH 2005

PARAMETER MEASUREMENT INFORMATION



† Includes probe and jig capacitance

Figure 1. Driver Test Circuit, V_{OD} and V_{OC} Without Common-Mode Loading

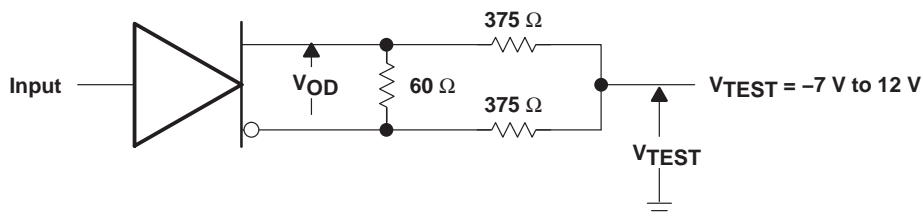
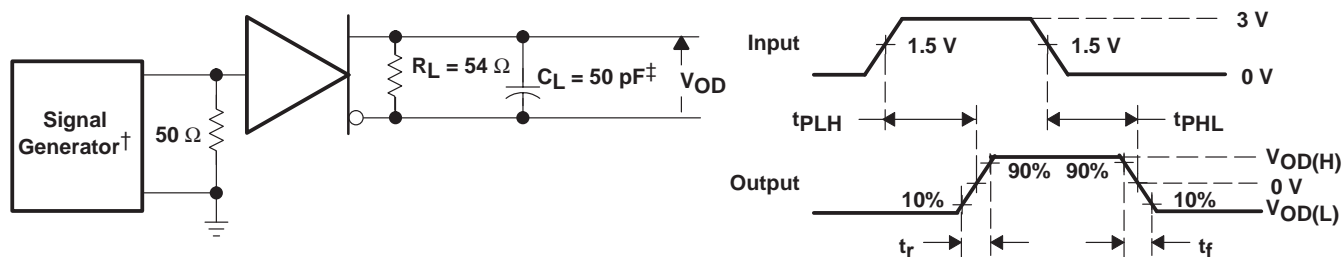


Figure 2. Driver Test Circuit, V_{OD} With Common-Mode Loading

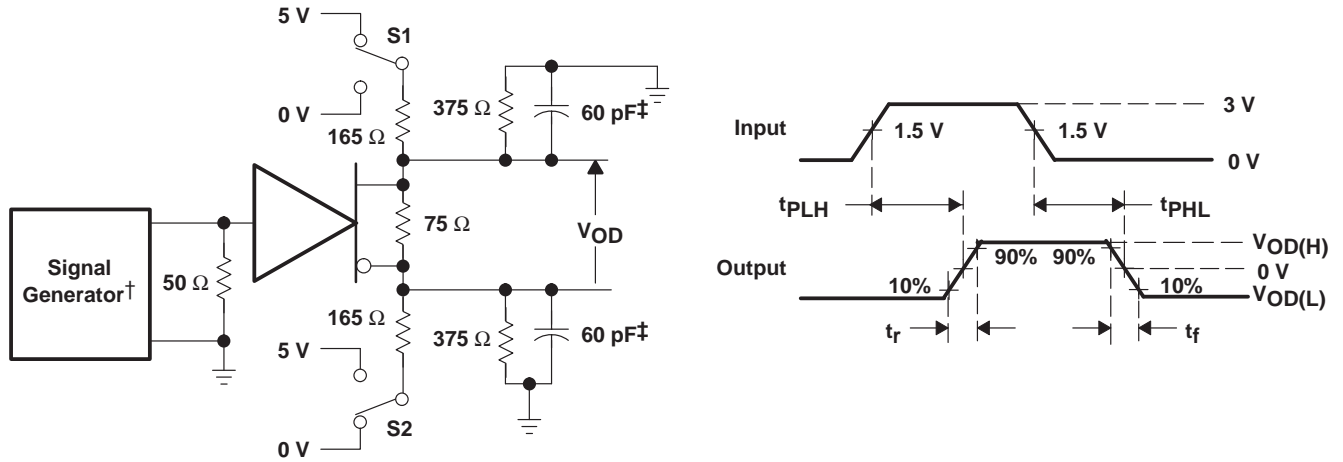


† PRR = 1 MHz, 50% Duty Cycle, $t_r < 6$ ns, $t_f < 6$ ns, $Z_0 = 50 \Omega$

‡ Includes probe and jig capacitance

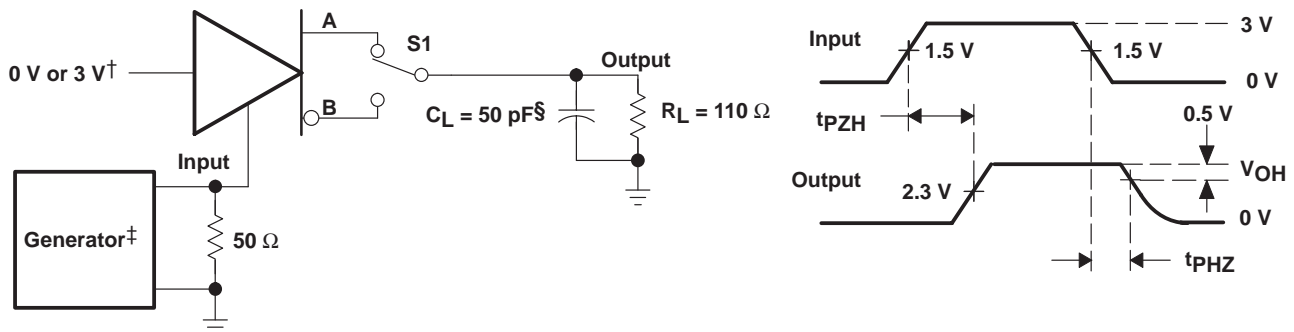
Figure 3. Driver Switching Test Circuit and Waveforms, 485-Loading

PARAMETER MEASUREMENT INFORMATION



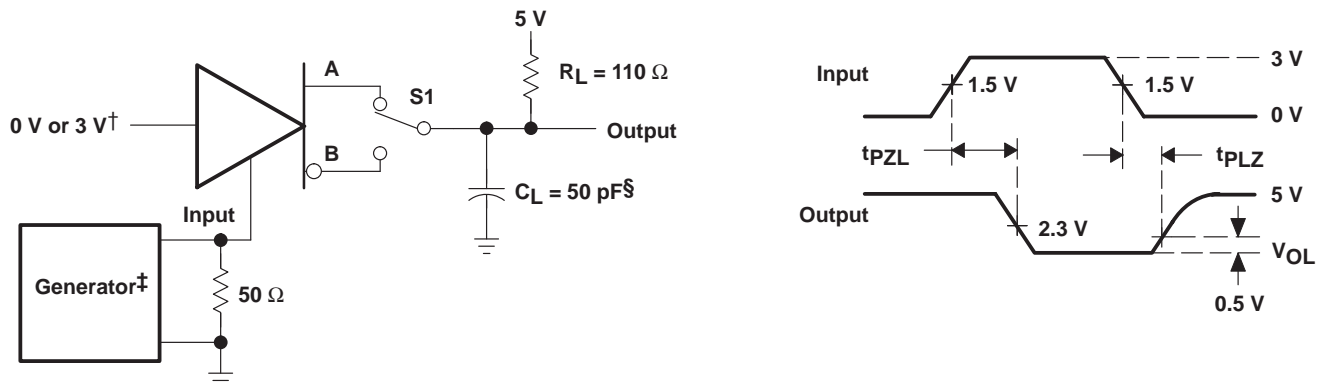
† PRR = 1 MHz, 50% Duty Cycle, $t_r < 6$ ns, $t_f < 6$ ns, $Z_0 = 50 \Omega$
 ‡ Includes probe and jig capacitance

Figure 4. Driver Switching Test Circuit and Waveforms, HVD SCSI-Loading (double terminated)



† 3 V if testing A output, 0 V if testing B output
 ‡ PRR = 1 MHz, 50% Duty Cycle, $t_r < 6$ ns, $t_f < 6$ ns, $Z_0 = 50 \Omega$
 § Includes probe and jig capacitance

Figure 5. Driver Enable/Disable Test, High Output



† 0 V if testing A output, 3 V if testing B output
 ‡ PRR = 1 MHz, 50% Duty Cycle, $t_r < 6$ ns, $t_f < 6$ ns, $Z_0 = 50 \Omega$
 § Includes probe and jig capacitance

Figure 6. Driver Enable/Disable Test, Low Output

SN65LBC170, SN75LBC170 TRIPLE DIFFERENTIAL TRANSCIEVERS

SLLS459C – NOVEMBER 2000 – REVISED MARCH 2005

PARAMETER MEASUREMENT INFORMATION

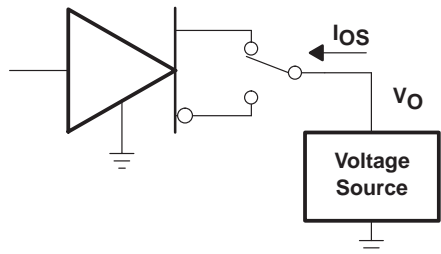


Figure 7. Driver Short-Circuit Test

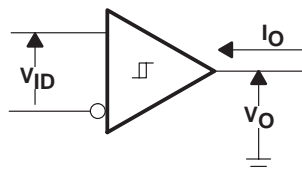
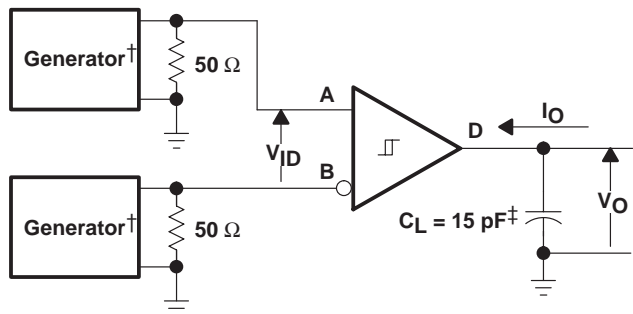
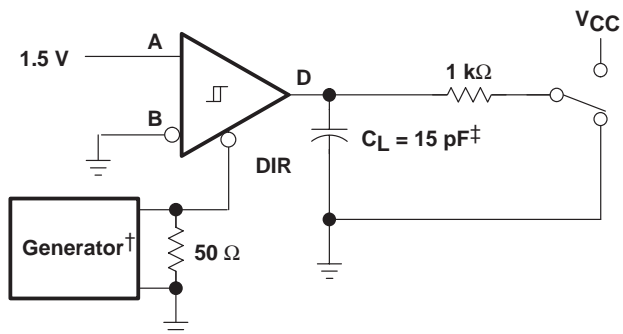


Figure 8. Receiver DC Parameters



† PRR = 1 MHz, 50% Duty Cycle, $t_r < 6$ ns, $t_f < 6$ ns, $Z_0 = 50 \Omega$
‡ Includes probe and jig capacitance

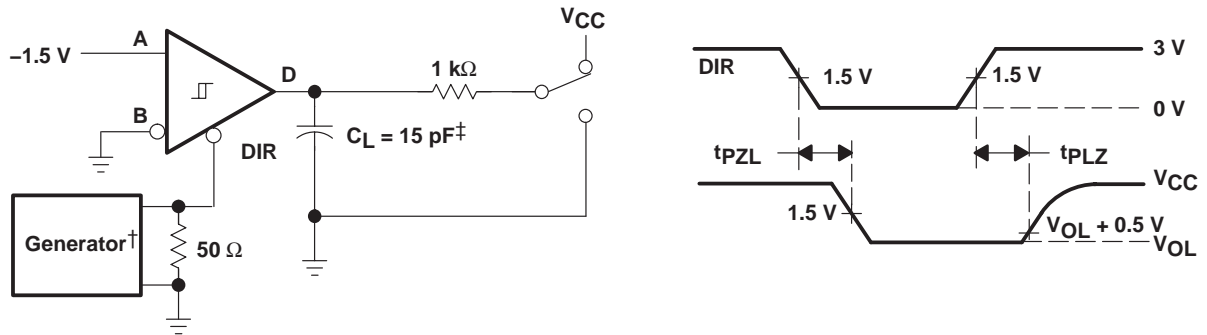
Figure 9. Receiver Switching Test Circuit and Waveforms



† PRR = 1 MHz, 50% Duty Cycle, $t_r < 6$ ns, $t_f < 6$ ns, $Z_0 = 50 \Omega$
‡ Includes probe and jig capacitance

Figure 10. Receiver Enable/Disable Test, High Output

PARAMETER MEASUREMENT INFORMATION



† PRR = 1 MHz, 50% Duty Cycle, $t_r < 6 \text{ ns}$, $t_f < 6 \text{ ns}$, $Z_0 = 50 \Omega$
 ‡ Includes probe and jig capacitance

Figure 11. Receiver Enable/Disable Test, Low Output

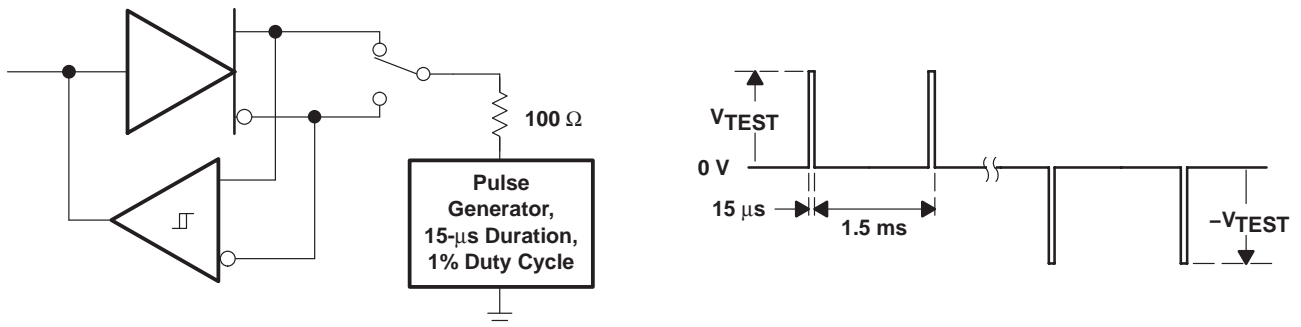


Figure 12. Test Circuit and Waveform, Transient Over Voltage Test

SN65LBC170, SN75LBC170 TRIPLE DIFFERENTIAL TRANSCEIVERS

SLLS459C – NOVEMBER 2000 – REVISED MARCH 2005

TYPICAL CHARACTERISTICS

DIFFERENTIAL OUTPUT VOLTAGE
vs
OUTPUT CURRENT

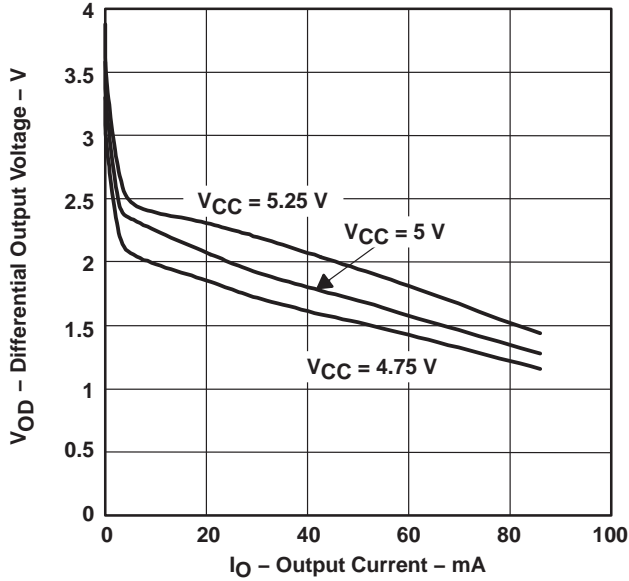


Figure 13

DIFFERENTIAL OUTPUT VOLTAGE
vs
FREE-AIR TEMPERATURE

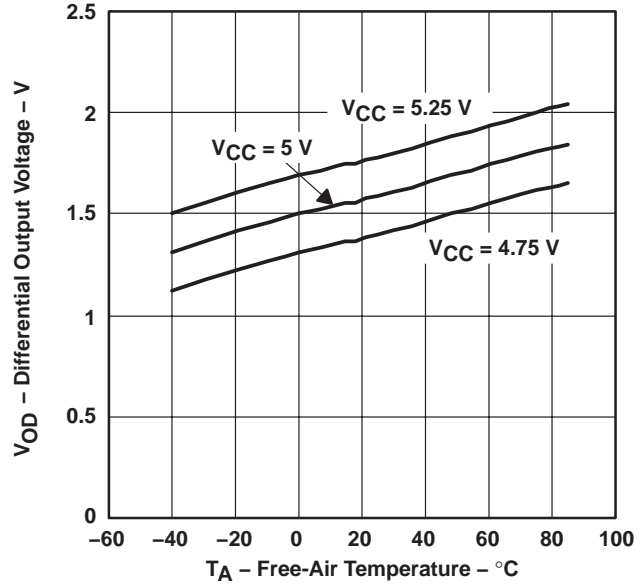


Figure 14

DRIVER PROPAGATION DELAY
vs
FREE-AIR TEMPERATURE

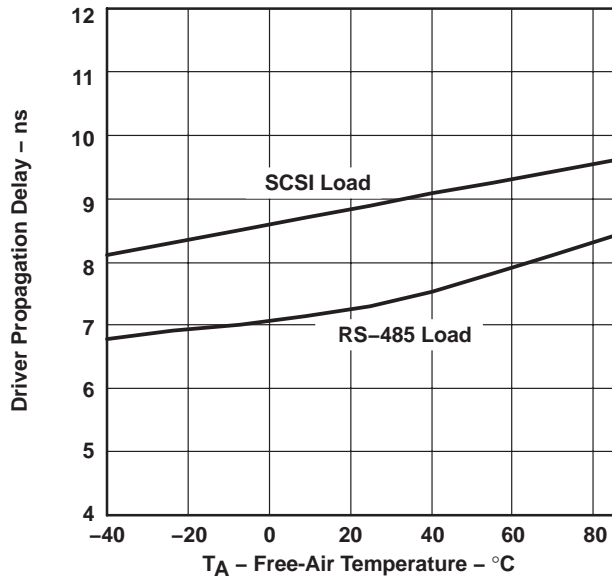


Figure 15

SUPPLY CURRENT
vs
SIGNALING RATE

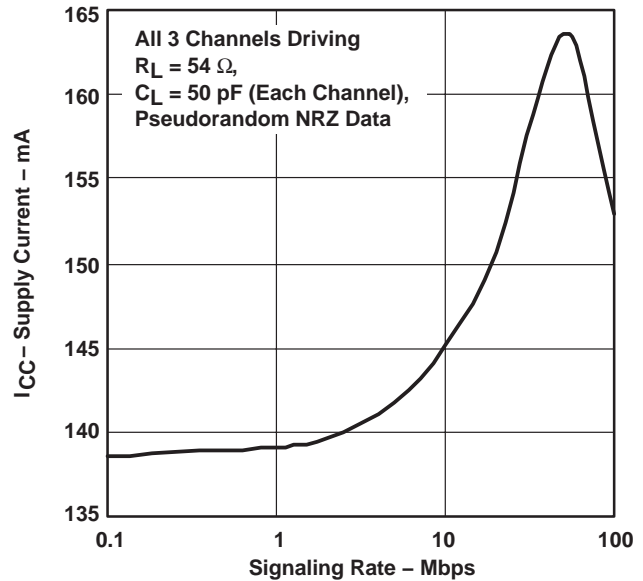


Figure 16



TYPICAL CHARACTERISTICS

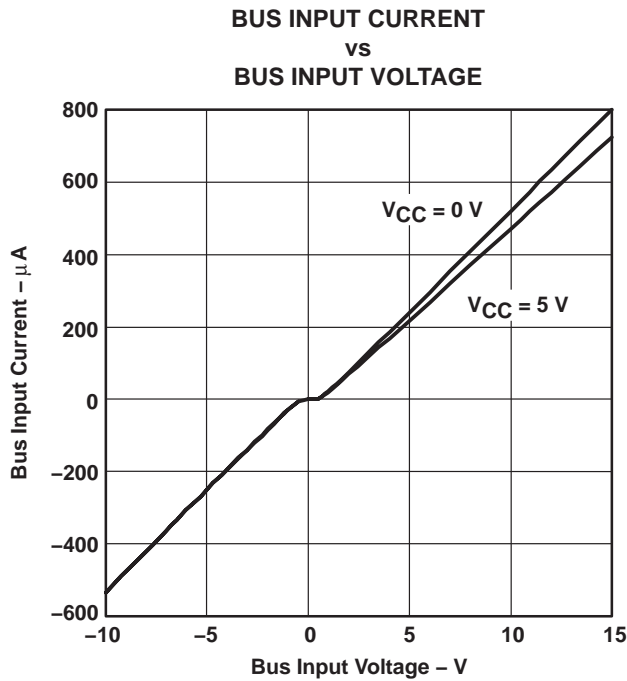


Figure 17

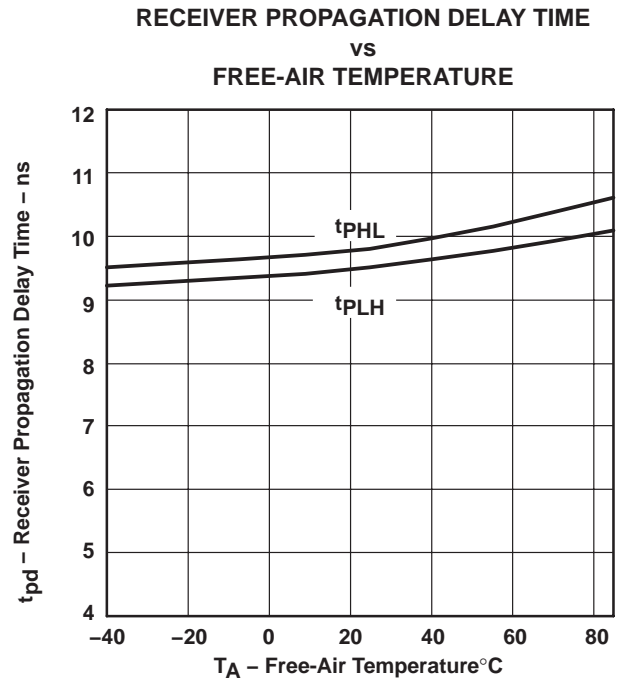


Figure 18

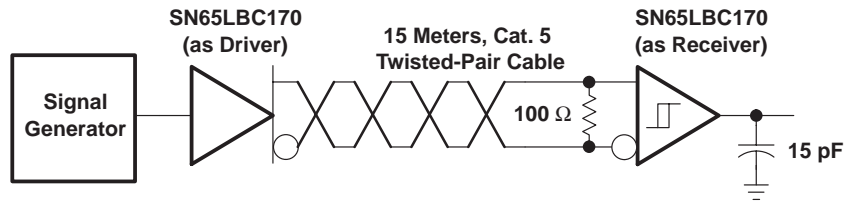


Figure 19. Circuit Diagram for Signaling Characteristics

SN65LBC170, SN75LBC170 TRIPLE DIFFERENTIAL TRANSCEIVERS

SLLS459C – NOVEMBER 2000 – REVISED MARCH 2005

TYPICAL CHARACTERISTICS

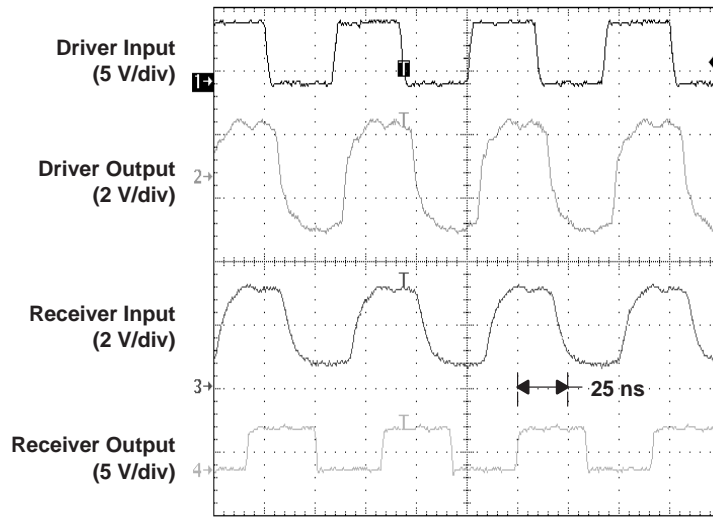


Figure 20. Signal Waveforms at 30 Mbps

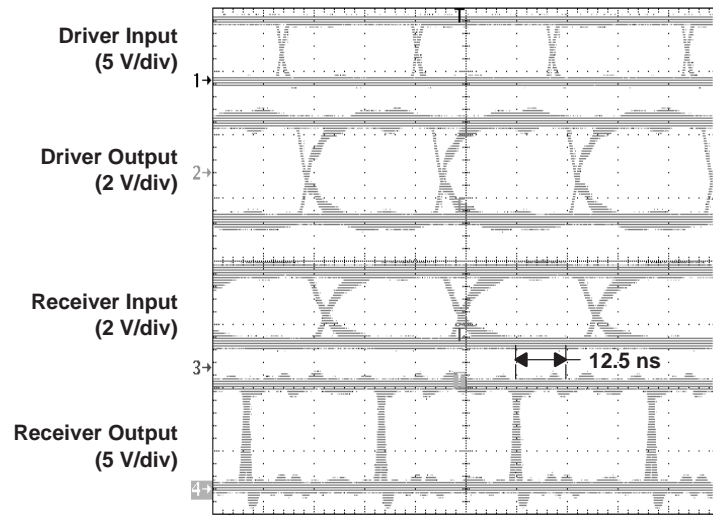


Figure 21. Eye Patterns, Pseudorandom Data at 30 Mbps

TYPICAL CHARACTERISTICS

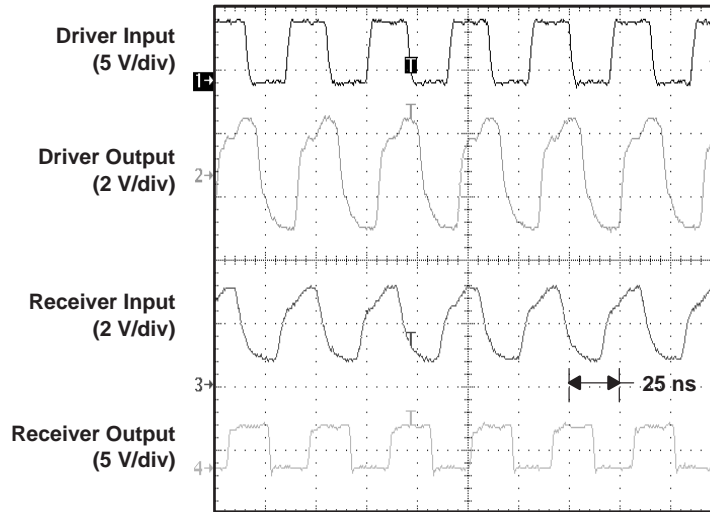


Figure 22. Signal Waveforms at 50 Mbps

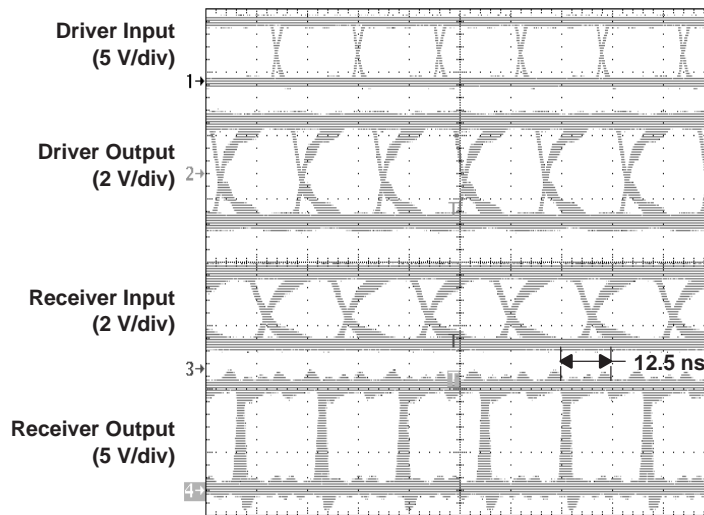


Figure 23. Eye Patterns, Pseudorandom Data at 50 Mbps

PACKAGING INFORMATION

| Orderable Device | Status ⁽¹⁾ | Package Type | Package Drawing | Pins | Package Qty | Eco Plan ⁽²⁾ | Lead/Ball Finish | MSL Peak Temp ⁽³⁾ |
|------------------|-----------------------|--------------|-----------------|------|-------------|-------------------------|------------------|------------------------------|
| SN65LBC170DB | ACTIVE | SSOP | DB | 16 | 80 | Green (RoHS & no Sb/Br) | CU NIPDAU | Level-1-260C-UNLIM |
| SN65LBC170DBG4 | ACTIVE | SSOP | DB | 16 | 80 | Green (RoHS & no Sb/Br) | CU NIPDAU | Level-1-260C-UNLIM |
| SN65LBC170DBR | ACTIVE | SSOP | DB | 16 | 2000 | Green (RoHS & no Sb/Br) | CU NIPDAU | Level-1-260C-UNLIM |
| SN65LBC170DBRG4 | ACTIVE | SSOP | DB | 16 | 2000 | Green (RoHS & no Sb/Br) | CU NIPDAU | Level-1-260C-UNLIM |
| SN65LBC170DW | ACTIVE | SOIC | DW | 20 | 25 | Green (RoHS & no Sb/Br) | CU NIPDAU | Level-1-260C-UNLIM |
| SN65LBC170DWG4 | ACTIVE | SOIC | DW | 20 | 25 | Green (RoHS & no Sb/Br) | CU NIPDAU | Level-1-260C-UNLIM |
| SN65LBC170DWR | ACTIVE | SOIC | DW | 20 | 2500 | Green (RoHS & no Sb/Br) | CU NIPDAU | Level-1-260C-UNLIM |
| SN65LBC170DWRG4 | ACTIVE | SOIC | DW | 20 | 2500 | Green (RoHS & no Sb/Br) | CU NIPDAU | Level-1-260C-UNLIM |
| SN75LBC170DB | ACTIVE | SSOP | DB | 16 | 80 | Green (RoHS & no Sb/Br) | CU NIPDAU | Level-1-260C-UNLIM |
| SN75LBC170DBG4 | ACTIVE | SSOP | DB | 16 | 80 | Green (RoHS & no Sb/Br) | CU NIPDAU | Level-1-260C-UNLIM |
| SN75LBC170DBR | ACTIVE | SSOP | DB | 16 | 2000 | Green (RoHS & no Sb/Br) | CU NIPDAU | Level-1-260C-UNLIM |
| SN75LBC170DBRG4 | ACTIVE | SSOP | DB | 16 | 2000 | Green (RoHS & no Sb/Br) | CU NIPDAU | Level-1-260C-UNLIM |
| SN75LBC170DW | ACTIVE | SOIC | DW | 20 | 25 | Green (RoHS & no Sb/Br) | CU NIPDAU | Level-1-260C-UNLIM |
| SN75LBC170DWG4 | ACTIVE | SOIC | DW | 20 | 25 | Green (RoHS & no Sb/Br) | CU NIPDAU | Level-1-260C-UNLIM |
| SN75LBC170DWR | ACTIVE | SOIC | DW | 20 | 2500 | Green (RoHS & no Sb/Br) | CU NIPDAU | Level-1-260C-UNLIM |
| SN75LBC170DWRG4 | ACTIVE | SOIC | DW | 20 | 2500 | Green (RoHS & no Sb/Br) | CU NIPDAU | Level-1-260C-UNLIM |

⁽¹⁾ The marketing status values are defined as follows:

ACTIVE: Product device recommended for new designs.

LIFEBUY: TI has announced that the device will be discontinued, and a lifetime-buy period is in effect.

NRND: Not recommended for new designs. Device is in production to support existing customers, but TI does not recommend using this part in a new design.

PREVIEW: Device has been announced but is not in production. Samples may or may not be available.

OBSELETE: TI has discontinued the production of the device.

⁽²⁾ Eco Plan - The planned eco-friendly classification: Pb-Free (RoHS), Pb-Free (RoHS Exempt), or Green (RoHS & no Sb/Br) - please check <http://www.ti.com/productcontent> for the latest availability information and additional product content details.

TBD: The Pb-Free/Green conversion plan has not been defined.

Pb-Free (RoHS): TI's terms "Lead-Free" or "Pb-Free" mean semiconductor products that are compatible with the current RoHS requirements for all 6 substances, including the requirement that lead not exceed 0.1% by weight in homogeneous materials. Where designed to be soldered at high temperatures, TI Pb-Free products are suitable for use in specified lead-free processes.

Pb-Free (RoHS Exempt): This component has a RoHS exemption for either 1) lead-based flip-chip solder bumps used between the die and package, or 2) lead-based die adhesive used between the die and leadframe. The component is otherwise considered Pb-Free (RoHS compatible) as defined above.

Green (RoHS & no Sb/Br): TI defines "Green" to mean Pb-Free (RoHS compatible), and free of Bromine (Br) and Antimony (Sb) based flame retardants (Br or Sb do not exceed 0.1% by weight in homogeneous material)

⁽³⁾ MSL, Peak Temp. -- The Moisture Sensitivity Level rating according to the JEDEC industry standard classifications, and peak solder temperature.

Important Information and Disclaimer:The information provided on this page represents TI's knowledge and belief as of the date that it is provided. TI bases its knowledge and belief on information provided by third parties, and makes no representation or warranty as to the accuracy of such information. Efforts are underway to better integrate information from third parties. TI has taken and continues to take reasonable steps to provide representative and accurate information but may not have conducted destructive testing or chemical analysis on incoming materials and chemicals. TI and TI suppliers consider certain information to be proprietary, and thus CAS numbers and other limited information may not be available for release.

In no event shall TI's liability arising out of such information exceed the total purchase price of the TI part(s) at issue in this document sold by TI to Customer on an annual basis.

TAPE AND REEL INFORMATION



QUADRANT ASSIGNMENTS FOR PIN 1 ORIENTATION IN TAPE



*All dimensions are nominal

| Device | Package Type | Package Drawing | Pins | SPQ | Reel Diameter (mm) | Reel Width W1 (mm) | A0 (mm) | B0 (mm) | K0 (mm) | P1 (mm) | W (mm) | Pin1 Quadrant |
|---------------|--------------|-----------------|------|------|--------------------|--------------------|---------|---------|---------|---------|--------|---------------|
| SN65LBC170DBR | SSOP | DB | 16 | 2000 | 330.0 | 16.4 | 8.2 | 6.6 | 2.5 | 12.0 | 16.0 | Q1 |
| SN65LBC170DWR | SOIC | DW | 20 | 2500 | 330.0 | 24.4 | 10.8 | 13.0 | 2.7 | 12.0 | 24.0 | Q1 |
| SN75LBC170DBR | SSOP | DB | 16 | 2000 | 330.0 | 16.4 | 8.2 | 6.6 | 2.5 | 12.0 | 16.0 | Q1 |
| SN75LBC170DWR | SOIC | DW | 20 | 2500 | 330.0 | 24.4 | 10.8 | 13.0 | 2.7 | 12.0 | 24.0 | Q1 |

TAPE AND REEL BOX DIMENSIONS



*All dimensions are nominal

| Device | Package Type | Package Drawing | Pins | SPQ | Length (mm) | Width (mm) | Height (mm) |
|---------------|--------------|-----------------|------|------|-------------|------------|-------------|
| SN65LBC170DBR | SSOP | DB | 16 | 2000 | 346.0 | 346.0 | 33.0 |
| SN65LBC170DWR | SOIC | DW | 20 | 2500 | 346.0 | 346.0 | 41.0 |
| SN75LBC170DBR | SSOP | DB | 16 | 2000 | 346.0 | 346.0 | 33.0 |
| SN75LBC170DWR | SOIC | DW | 20 | 2500 | 346.0 | 346.0 | 41.0 |

DW (R-PDSO-G20)

PLASTIC SMALL-OUTLINE PACKAGE



- NOTES:
- A. All linear dimensions are in inches (millimeters).
 - B. This drawing is subject to change without notice.
 - C. Body dimensions do not include mold flash or protrusion not to exceed 0.006 (0,15).
 - D. Falls within JEDEC MS-013 variation AC.

IMPORTANT NOTICE

Texas Instruments Incorporated and its subsidiaries (TI) reserve the right to make corrections, modifications, enhancements, improvements, and other changes to its products and services at any time and to discontinue any product or service without notice. Customers should obtain the latest relevant information before placing orders and should verify that such information is current and complete. All products are sold subject to TI's terms and conditions of sale supplied at the time of order acknowledgment.

TI warrants performance of its hardware products to the specifications applicable at the time of sale in accordance with TI's standard warranty. Testing and other quality control techniques are used to the extent TI deems necessary to support this warranty. Except where mandated by government requirements, testing of all parameters of each product is not necessarily performed.

TI assumes no liability for applications assistance or customer product design. Customers are responsible for their products and applications using TI components. To minimize the risks associated with customer products and applications, customers should provide adequate design and operating safeguards.

TI does not warrant or represent that any license, either express or implied, is granted under any TI patent right, copyright, mask work right, or other TI intellectual property right relating to any combination, machine, or process in which TI products or services are used. Information published by TI regarding third-party products or services does not constitute a license from TI to use such products or services or a warranty or endorsement thereof. Use of such information may require a license from a third party under the patents or other intellectual property of the third party, or a license from TI under the patents or other intellectual property of TI.

Reproduction of TI information in TI data books or data sheets is permissible only if reproduction is without alteration and is accompanied by all associated warranties, conditions, limitations, and notices. Reproduction of this information with alteration is an unfair and deceptive business practice. TI is not responsible or liable for such altered documentation. Information of third parties may be subject to additional restrictions.

Resale of TI products or services with statements different from or beyond the parameters stated by TI for that product or service voids all express and any implied warranties for the associated TI product or service and is an unfair and deceptive business practice. TI is not responsible or liable for any such statements.

TI products are not authorized for use in safety-critical applications (such as life support) where a failure of the TI product would reasonably be expected to cause severe personal injury or death, unless officers of the parties have executed an agreement specifically governing such use. Buyers represent that they have all necessary expertise in the safety and regulatory ramifications of their applications, and acknowledge and agree that they are solely responsible for all legal, regulatory and safety-related requirements concerning their products and any use of TI products in such safety-critical applications, notwithstanding any applications-related information or support that may be provided by TI. Further, Buyers must fully indemnify TI and its representatives against any damages arising out of the use of TI products in such safety-critical applications.

TI products are neither designed nor intended for use in military/aerospace applications or environments unless the TI products are specifically designated by TI as military-grade or "enhanced plastic." Only products designated by TI as military-grade meet military specifications. Buyers acknowledge and agree that any such use of TI products which TI has not designated as military-grade is solely at the Buyer's risk, and that they are solely responsible for compliance with all legal and regulatory requirements in connection with such use.

TI products are neither designed nor intended for use in automotive applications or environments unless the specific TI products are designated by TI as compliant with ISO/TS 16949 requirements. Buyers acknowledge and agree that, if they use any non-designated products in automotive applications, TI will not be responsible for any failure to meet such requirements.

Following are URLs where you can obtain information on other Texas Instruments products and application solutions:

Products

| | |
|-----------------------------|--|
| Amplifiers | amplifier.ti.com |
| Data Converters | dataconverter.ti.com |
| DSP | dsp.ti.com |
| Clocks and Timers | www.ti.com/clocks |
| Interface | interface.ti.com |
| Logic | logic.ti.com |
| Power Mgmt | power.ti.com |
| Microcontrollers | microcontroller.ti.com |
| RFID | www.ti-rfid.com |
| RF/IF and ZigBee® Solutions | www.ti.com/lprf |

Applications

| | |
|--------------------|--|
| Audio | www.ti.com/audio |
| Automotive | www.ti.com/automotive |
| Broadband | www.ti.com/broadband |
| Digital Control | www.ti.com/digitalcontrol |
| Medical | www.ti.com/medical |
| Military | www.ti.com/military |
| Optical Networking | www.ti.com/opticalnetwork |
| Security | www.ti.com/security |
| Telephony | www.ti.com/telephony |
| Video & Imaging | www.ti.com/video |
| Wireless | www.ti.com/wireless |

Mailing Address: Texas Instruments, Post Office Box 655303, Dallas, Texas 75265
Copyright © 2008, Texas Instruments Incorporated